



VOLVO CARS RECOMMENDED EQUIPMENT



**Attrezzatura
consigliata**

(IT)

**Recommended
equipment**

(EN)

**Empfohlene
Werkstattausrüstung**

(DE)

**Équipement
conseillé**

(FR)

**Equipos
recomendados**

(ES)

WHEEL ALIGNMENT - CCD CAMERAS

ARC 78WS

8-CCD sensor wheel aligner.

Volvo specification number: **6.101.03**

SPJ SE 25716

Infra-red transmission among measuring heads. Bluetooth transmission between front measuring heads and control unit. Maximum mobility between different working positions thanks to the absence of cables and any fix structure.



STANDARD

- 1 control unit with PC, key-board, printer and battery-charger
- 2 front measuring heads
- 2 rear measuring heads
- 2 pair of four point clamps
- 1 pair of S110A7 turn tables
- 1 brake pedal depressor
- 1 steering wheel lock
- Instruction manual on CD

Recommended accessories:

STDA72 (2 set)

24" to 28" extensions for 2 clamps

WHEEL ALIGNMENT - 3D

ARP 3DHP.B

3D wheel aligner.

Volvo specification number: **6.101.03**

SPJ SE 25716

Premium cabinet 3-point clamps



Quick battery change.



Keyboard with remote-control function.

Recommended accessories:

STDA72 (2 set) - 24" to 28" extensions for 2 clamps

ARP 3DS.B

3D wheel aligner.

Volvo specification number: **6.101.03**

SPJ SE 25716

Space saver cabinet 4-point clamps



Can be used on any 4 post or scissors lift. Automatic lift level compensation.



2 universal supports included



SCISSOR LIFTS

Lifts with flat platforms

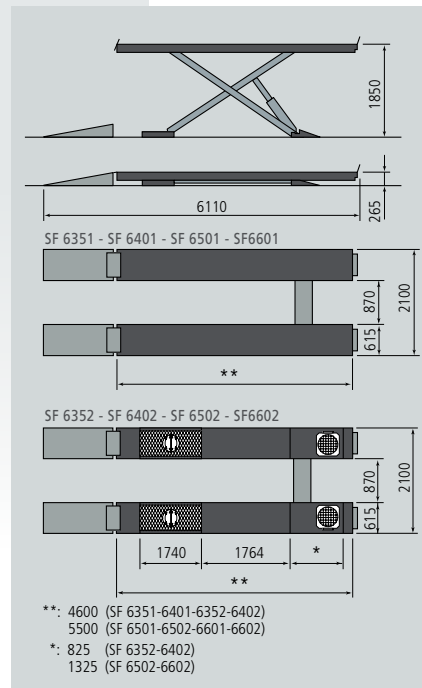
- SF 6351 / 3500 kg
- SF 6401 / 4200 kg
- SF 6501 / 5000 kg
- SF 6601 / 6000 kg

Volvo specification number: **0.105.03**
SPJ 25662

Wheel alignment lifts

- SF 6352 / 3500 kg
- SF 6402 / 4200 kg
- SF 6502 / 5000 kg
- SF 6602 / 6000 kg

Volvo specification number: **0.105.03**
SPJ 25662



Jacking Beam

- J20PNX / 2000 kg air-hydraulic
- J20PNXL / 2000 kg air-hydraulic large
- J30PRL / 3000 kg air-hydraulic large

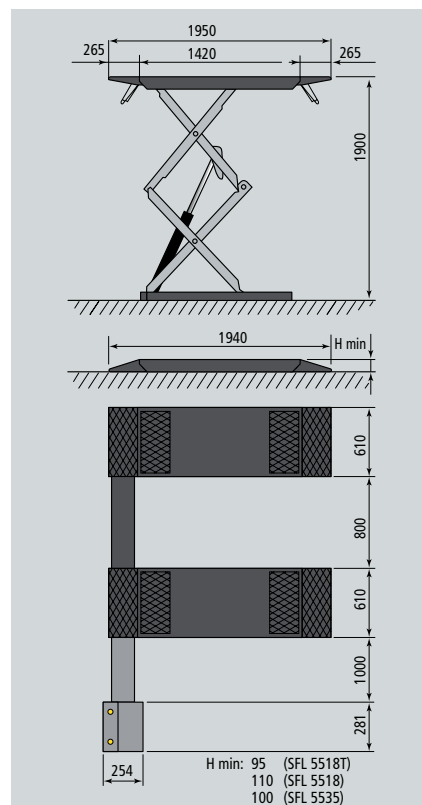
Volvo specification number: **0.103.03**

Air-hydraulic scissor wheel-free jack

Low Profile Scissor Lifts

- SFL 5518 / 3000 kg (H min = 110 mm)
- SFL 5518T / 3000 kg (H min = 95 mm)
- SFL 5535 / 3500 kg (H min = 100 mm)

Volvo specification number **0.105.03**
SPJ 25661





BRAKE TESTER

PFC 750 E000

Computerised control unit
with colour TFT monitor 17".

Volvo specification number: **5.101.04**

SPJ SE 25715

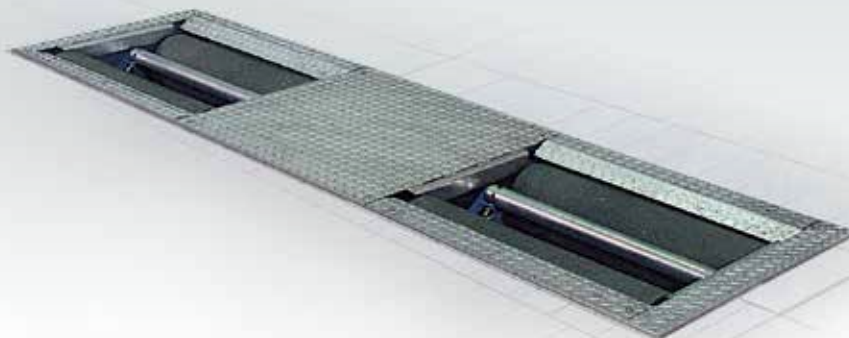
PFB 040 0000

Roller brake tester

Motors: 4,7 + 4,7 kW

Breaking measurement up to **6000N**

Available also with selfbraking motors
and built-in weighting unit.



WHEEL BALANCERS

ER 255RS

Computerised control unit
with colour TFT monitor 17".

Volvo specification number: **5.101.04**

SPJ 25717



ER 238H

A low rotation speed balancer. Entry level model
of the motorised range, the machine offers great
value for money and occupies a very limited
space, it also gives professional performances.
Guided ALU S programme. Guided rim/tyre
optimisation.

Volvo specification number: **7.101.04**

SPJ 25717



WHEEL WIDTH GAUGE



DOUBLE LED LIGHT



LASER POINTER



Recommended accessories:
GAR131H - Universal flange

TYRE CHANGERS



GA 2645.26

Automatic tyre changer with tilting column.
 External self-centering lock: 10"-26"
 Internal self-centering lock: 12"-28"
 Maximum tyre width: 17"
 Volvo specification number: **7.102.02**
SPJ SE 25718



Recommended accessories:

- G800A6** - 4 clamp protections
- G800A8** - Tool protection
- G800A11** - Bead breaker protection

GA 2645V.26 + PLUS83N

Automatic tyre changer with:

- tilting column
- a large and reinforced frame
- with 2 speed motor
- inflation device

External self-centering lock: 10"-26"
 Internal self-centering lock: 12"-28"
 Maximum tyre width: 17"
PLUS83N - Helping arm
 Volvo specification number: **7.102.03**
SPJ SE 25718

EASY DEMOUNTING



EASY MOUNTING



SYNCR O ROLLERS



GA 560.30 IT

Leverless tyre changer with:

- center locking
- plastic tool
- variable speed motor
- inflation device
- Max rim diameter: 10"-30"

Maximum tyre width: 15"
PLUS96 - Helping arm
G1000A112 - Wheel lift
 Volvo specification number: **7.102.04**
SPJ SE 25718

The bead-breaking is performed by means of an **EASY ROLLER**:

- bead-breaking in correct position
- easy rotation of the roller
- automatic side-movement of the roller
- memorized position for bead breaking of wheel lower side



IN GROUND PISTON LIFTS

SDI 110NK / 3500 kg

Version with lifting arms

S1110A5 - Complete waterproof frame

Volvo specification number: **11.110.01**

SPJ SE 26125

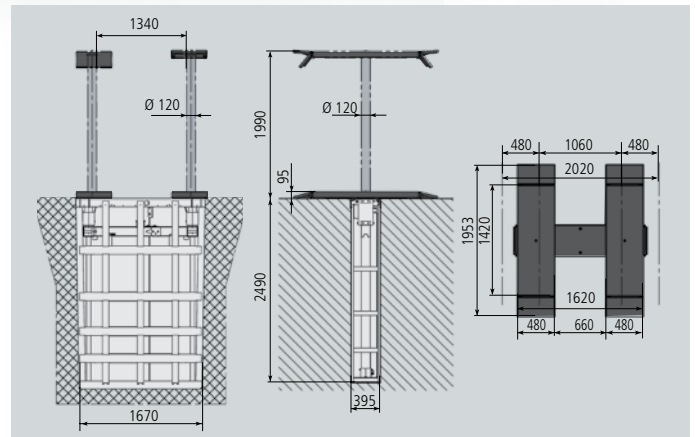
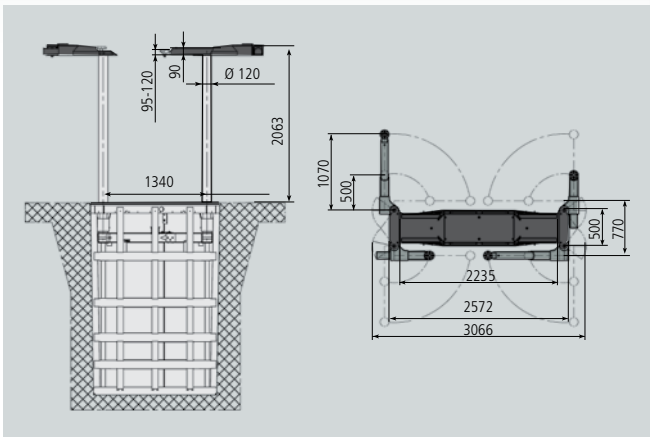
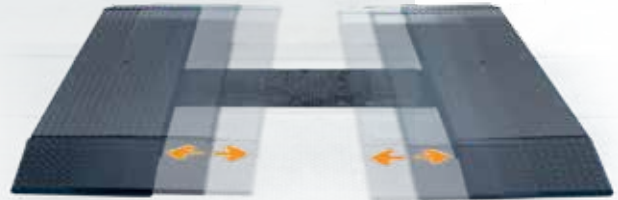
SDI 120M / 3500 kg

Lift with adjustable track of pick up supports

S1110A5 - Complete waterproof frame

Volvo specification number: **11.110.01**

SPJ SE 26125



4 POST LIFTS - OPEN FRONT

Lifts with flat platforms

SQ 505 OFSI / 5000 kg

Volvo specification number: **0.103.03**

SPJ SE 25660

Wheel alignment lifts

SF 506 OFSI / 5000 kg

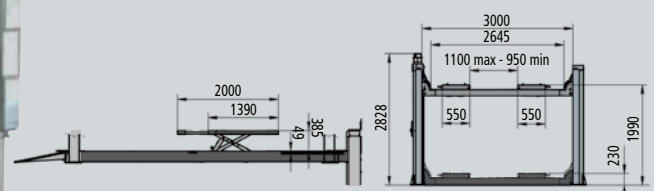
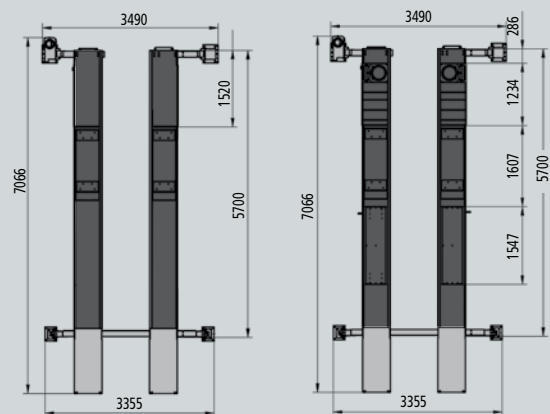
Volvo specification number: **0.103.03**

SPJ SE 25660



SQ 505 OFSI

SF 506 OFSI



4 POST LIFTS

Versions with flat platforms

SQ 401 / 4000 kg

SQ 405E / 4000 kg

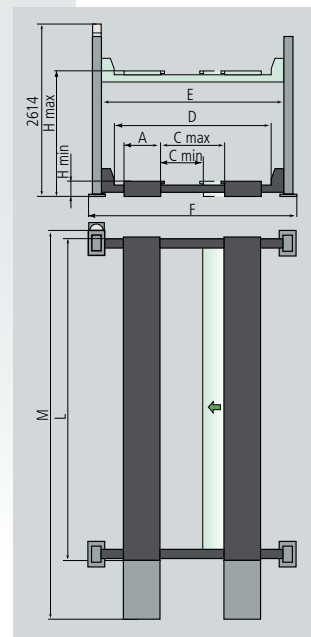
SQ 501E / 5000 kg

Volvo specification number: **0.103.03**

SPJ SE 25660

Technical Data

		SQ 401	SQ 405E	SQ 501E
Capacity	kg	4000		5000
Motor	kW	2,6		
Dimensions				
A		500	530	
C max		1250		1180
C min		910	860	786
D		2470	2670	2645
E	mm	2800	3000	
F		3365	3355	
H max		1905	1915	
H min		150	160	
L		4460	5100	5700
M		5190	6170	6670



Versions for full wheel alignment

SQ 402 / 4000 kg

SQ 406E / 4000 kg

Platforms for total wheel alignment with front turning plates locations and rear slip plates.

SQ 502E / 5000 kg

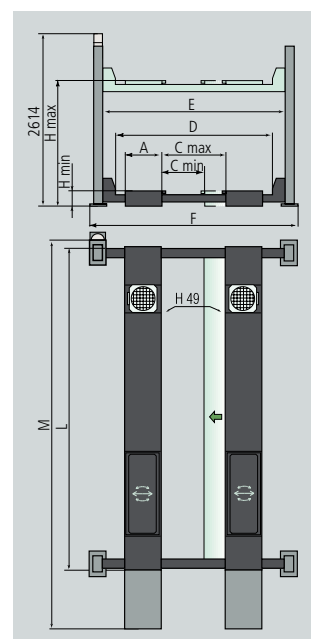
Extra-long platforms for total wheel alignment with front turning plates locations and rear slip plates.

Volvo specification number: **0.103.03**

SPJ SE 25660

Technical Data

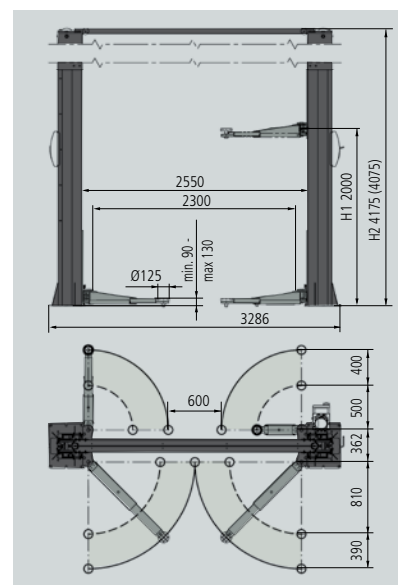
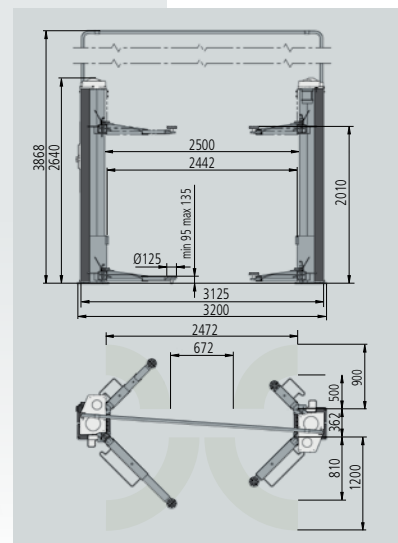
		SQ 402	SQ 406E	SQ 502E
Capacity	kg	4000		5000
Motor	kW	2,6		
Dimensions				
A		530		
C max		1210	1225	1180
C min		860	853	786
D		2470	2670	2645
E	mm	2800	3000	
F		3365	3355	
H max		1915	1915	
H min		160	210	
L		4460	5100	5700
M		5190	6318	6913



2 POST LIFTS

Electromechanical baseless 2-post lift

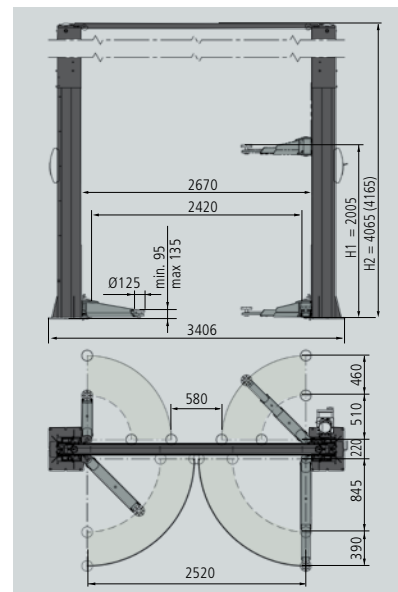
SDE 2337K / 3200 kg
 Volvo specification number:
11.108.01
SPJ SE 26123



Electrohydraulic baseless 2-post lift

SDH 370.32K / 3200 kg
 Volvo specification number: **11.108.01**
SPJ SE 26123

SDH 370.42K / 4200 kg
 Volvo specification number: **11.108.01**
SPJ SE 26123



SPACE s.r.l. a s.u.

Via Sangano, 48
 10090 Trana - Torino - ITALY
 tel. +39-011-934.40.300
 fax +39-011-933.88.64
 e-mail: info@spacetest.com
 www.spacetest.com