



good energy

HIGHER SAFETY AND LESS CONSUMPTION WITH PROPERLY TESTED VEHICLES



Console a LED ben visibile da lontano, permette di lavorare agevolmente, dando una immagine moderna all'officina. Montaggio a parete. La scatola elettrica include la scheda elettronica dedicata con microprocessore e il pannello elettrico per il funzionamento dei rulli. Da abbinare ad un banco prova freni per auto e furgoni.

LED display, visible from far away, it allows easy testing and gives a modern look to the workshop. To be wall mounted. The electric box assembly includes a dedicated electronic board with microprocessor and the electrical switches to operate the roller tester. To be coupled with a roller brake tester for car and van.

| Versione (da abbinare ad un banco a rulli) | Prova | Risultati |
|---------------------------------------------------------------------------------------|----------------------------------------------|-----------------------------------------------------------------------|
| SPRT003D | 2WD prova in automatico | Forza frenante + sbilanciamento |
| SPRT003D + VARRT003/4WDMAN (selettore manuale 2WD/4WD) | 2WD/4WD prova in automatico | Forza frenante + sbilanciamento |
| SPRT003D + VARRT102/4WDAUT (selezione 2WD/4WD fatta automaticamente dal banco) | 2WD/4WD prova in automatico | Forza frenante + sbilanciamento |
| SPRT003D + SRT056/003D (telecomando) | 2WD/4WD con inizio a comando e gestione assi | Forza frenante + sbilanciamento + ovalizzazione |
| Come sopra + SRT138 (kit stampante) oppure SRT137 (kit per utilizzo stampante utente) | | come sopra + report di stampa |
| SPRT003D + SRT056/003D (telecomando) + banco versione P (con pesa) | 2WD/4WD con inizio a comando e gestione assi | Forza frenante + sbilanciamento + ovalizzazione + efficienza frenante |
| Come sopra + SRT138 (kit stampante) oppure SRT137 (kit per utilizzo stampante utente) | | come sopra + report di stampa |

| Version (to be added to a roller tester) | Test | Result |
|------------------------------------------------------------------------------------------------|-------------------------------------------------------|------------------------------------------------------------|
| SPRT003D | 2WD automatic start | Braking force + unbalance |
| SPRT003D + VARRT003/4WDMAN (manual selector 2WD/4WD) | 2WD/4WD automatic start | Braking force + unbalance |
| SPRT003D + VARRT102/4WDAUT (2WD/4WD selection made automatically by the brake tester) | 2WD/4WD automatic start | Braking force + unbalance |
| SPRT003D + SRT056/003D (remote control) | 2WD/4WD start with remote control and axle management | Braking force + unbalance + ovalisation |
| As above + SRT138 (printer kit) or SRT137 (kit for data transmission to user's printer) | | as above + test result print-out |
| SPRT003D + SRT056/003D (remote control) + roller brake tester P version (with weighing system) | 2WD/4WD start with remote control and axle management | Braking force + unbalance + ovalisation + brake efficiency |
| As above + SRT138 (printer kit) or SRT137 (kit for data transmission to user's printer) | | as above + test result print-out |



Inizio prova
Test start
Testbeginn



Risultati prova (forze frenanti e sbilanciamento)
Test results (brake forces and imbalance)
Testergebnisse (Bremskraft und Differenz)



Peso asse (versioni P)
Axle weight (P version)
Achslast (P-Version)



Efficienza frenante (versioni P)
Brake efficiency (P version)
Bremsseffizienz (P-Version)



Moderne LED-Anzeige für Wandfixierung sehr gut auch von Weitem zu sehen. Die Elektrobox beinhaltet di Platine mit Mikroprozessor und die Elektrik für den Rollensatz. Diese Anzeige ist ausgelegt für den PKW- bzw Lieferwagen-Rollensatz.

| Version (für Rollensatz) | Test | Ergebnis |
|--------------------------------------------------------------------------------|--------------------------------------|----------------------------------------------------------|
| SPRT003D | 2WD Automatischer Testablauf | Bremskraft + Differenz |
| SPRT003D + VARRT003/4WDMAN (manuelle Umschaltung 2WD/4WD) | 2WD/4WD Automatischer Testablauf | Bremskraft + Differenz |
| SPRT003D + VARRT102/4WDAUT (automatische Allraderkennung 2WD/4WD) | 2WD/4WD Automatischer Testablauf | Bremskraft + Differenz |
| SPRT003D + SRT056/003D (Fernbedienung) | 2WD/4WD Steuerung über Fernbedienung | Bremskraft + Differenz + Radunrundheit |
| Wie oben + SRT138 (Druckereinheit) oder SRT137 (Kit zur Benutzung Fremdrucker) | | Wie oben + Ausdruck |
| SPRT003D + SRT056/003D (Fernbedienung) + Rollensatz P-Version (mit Waage) | 2WD/4WD Steuerung über Fernbedienung | Bremskraft + Differenz + Radunrundheit + Bremsseffizienz |
| Wie oben + SRT138 (Druckereinheit) Oder SRT137 (Kit zur Benutzung Fremdrucker) | | Wie oben + Ausdruck |

PRO-LANE

DIGITAL

Banco prova freni

Stand alone brake tester

Pkw-bremsenprüftester



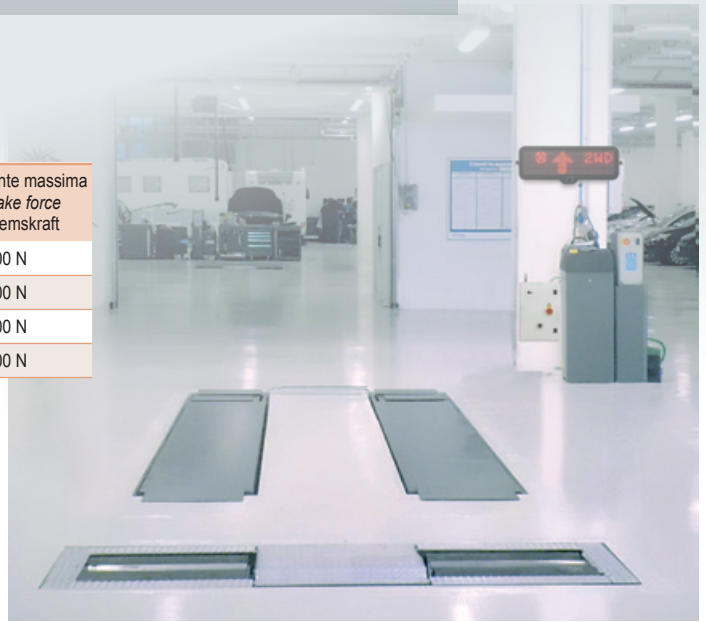
COMPANY WITH
QUALITY SYSTEM
CERTIFIED BY DNV GL
= ISO 9001 =

Banco provafreni a rulli
Roller brake tester
Rollenbremsenprüfstand

| | F | P | PF | Motorizzazione Motor-drive Antriebsleistung | Forza frenante massima Max. brake force Max. Bremskraft |
|-----------|------------|------------|-------------|---------------------------------------------------|---------------------------------------------------------------|
| SPRT102/4 | SPRT102/4F | SPRT102/4P | SPRT102/4PF | 3,5 + 3,5 kW | 4000 N |
| SPRT095N | - | SPRT095P | - | 4 + 4 kW | 5000 N |
| SPRT102N | SPRT102/6F | SPRT102P | SPRT102/6PF | 4,7 + 4,7 kW | 6000 N |
| SPRT102/7 | SPRT102/7F | SPRT102/7P | SPRT102/7PF | 5,5 + 5,5 kW | 7500 N |

Models

| | | |
|---|-------------------------------------------------------------|-------------------------|
| F | Motori autofrenanti Self-braking motors | Bremsmotore |
| P | Sistema di pesatura integrato Integrated weighing system | Eingebautes Wiegesystem |



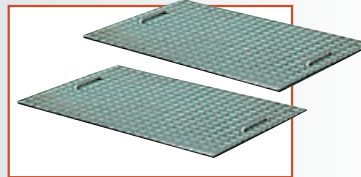
Option



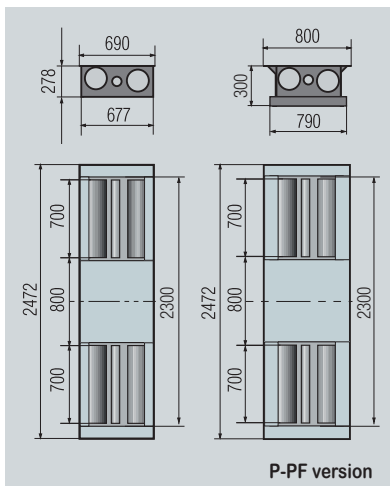
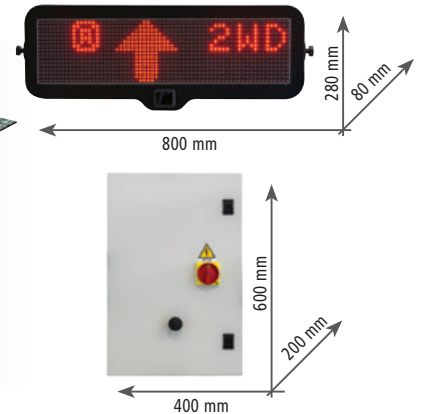
SRT074D
Supporto murale
Wall bracket
Wandhalter



SRT056/003D
Comando a distanza
Remote control
Fernbedienung



SRT046L
Set coperture carrabili
Set of drive-through covers
Satz Abdeckbleche



P-PF version

| Dati tecnici | Technical data | Technische daten | | SPRT102/4 | PFB035 | PFB040 SPRT102/6 | SPRT102/7 |
|--------------------------------|------------------------------|----------------------------|------|------------------|--------|---------------------|-----------|
| Peso max di prova per asse | Max. test weight per axis | Max. Prüfgewicht je Achse | kg | | 2500 | | |
| Peso max al passaggio per asse | Max. transit weight per axis | Max. Überfahrlast je Achse | kg | | 4000 | | |
| Forza frenante massima | Max. braking force | Max. Bremskraft | N | 4000 | 5000 | 6000 | 7500 |
| Precisione celle di carico | Load cells accuracy | Sensoren Genauigkeit | % | ± 0,1 | | | |
| Velocità periferica rulli | Test speed | Prüfgeschwindigkeit | km/h | 5,2 | | | |
| Motori | Motors | Motoren | kW | 2x3,5 | 2x4 | 2x4,7 | 2x5,5 |
| Diametro dei rulli | Roller diameter | Rollendurchmesser | mm | 205 | | | |
| Coefficiente di aderenza | Coefficient of friction | Reibungskoeffizient | | > 0,7 | | | |
| Alimentazione | Power supply | Stromversorgung | | 400 V 50 Hz 3 Ph | | | |

SPACE s.r.l. a s.u.

Via Sangano, 48
10090 Trana - Torino - ITALY
tel. +39-011-934.40.300
fax +39-011-933.88.64
e-mail: info@spacetest.com
www.spacetest.com

Le caratteristiche tecniche e gli allestimenti presentati in questo prospetto possono subire variazioni. Le immagini riprodotte non sono vincolanti.

Technical data and composition presented in this catalogue may vary.
Pictures reproduced are only indicative.

Die techn. Daten und die Ausrüstungen, die in diesem Prospekt enthalten sind, können Änderungen erfahren. Deshalb sind die Abbildungen unverbindlich.

CE DTT03D (01)